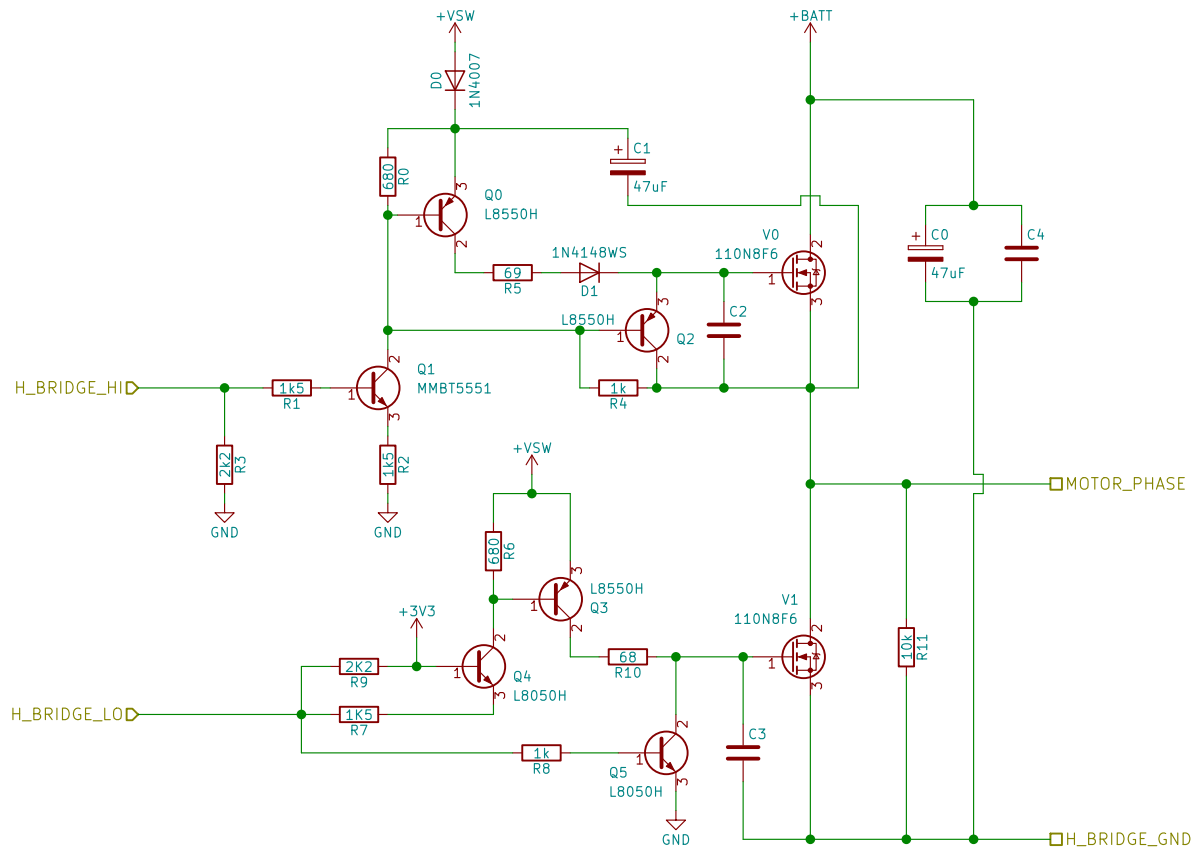


PCB MARKINGS: 679394 20150722

NOT FOR COMMERCIAL/PRODUCTION USE

Sheet: /		File: hoverboard_controller.sch	
Title:			
Size: A4	Date:		
KiCad E.D.A. kicad 4.0.7	Rev:	Id: 1/13	



COMPONENT REFERENCES ARE APPENDED BY "|P|S|" WHERE:
P = MOTOR PHASE (A/B/C)
S = MOTOR SIDE (R/L)
SO FOR RIGHT MOTOR PHASE A: APPEND WITH "AR"

NOT FOR COMMERCIAL/PRODCUTION USE

Sheet: /R_MTR_PHA/
File: hh_bridge.sch

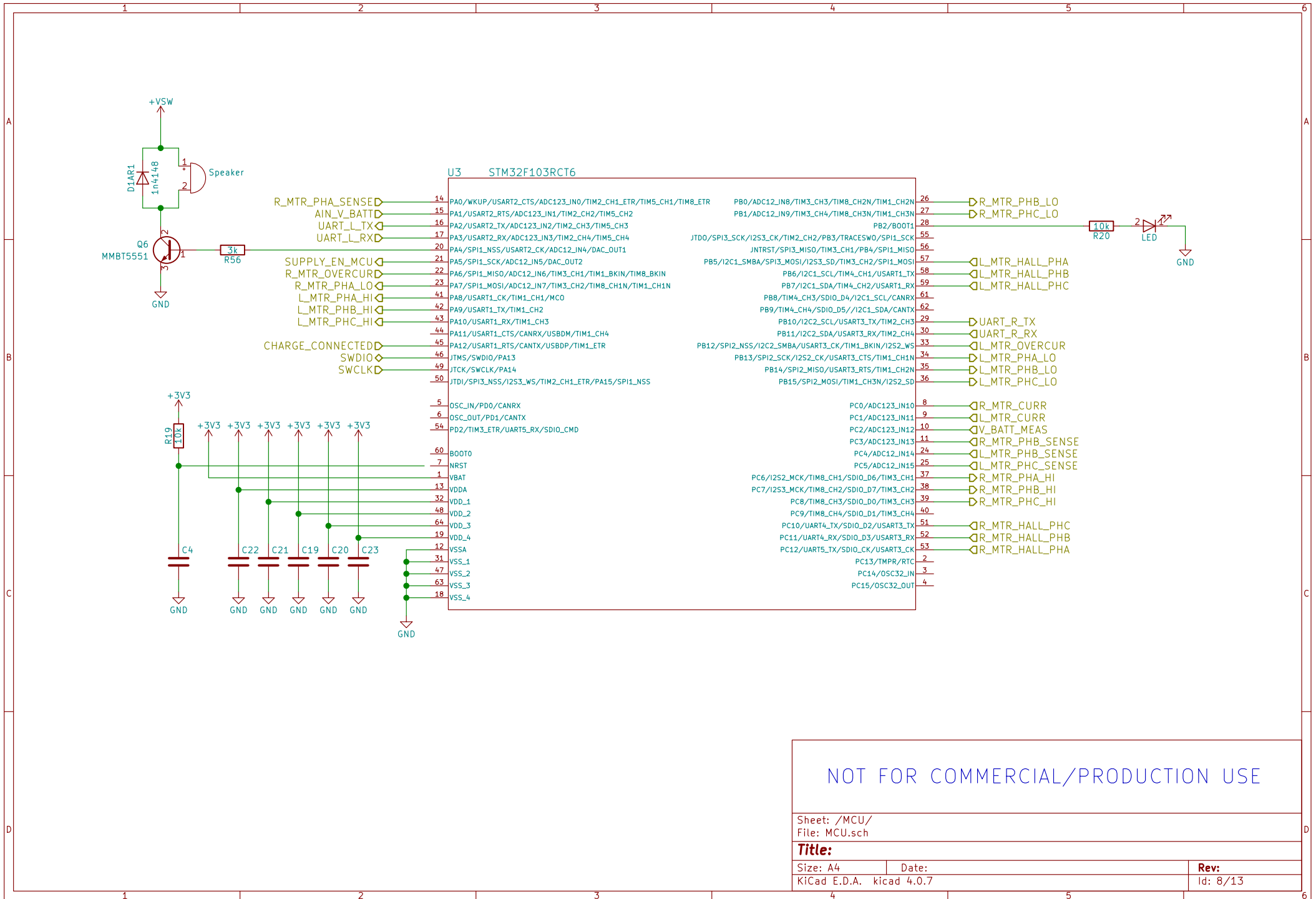
Title: MOTOR_PHASE_H_BRIDGE

Size: A4 Date: 2018-03-27

KiCad E.D.A. kicad 4.0.7

Rev: R01

Id: 2/13



NOT FOR COMMERCIAL/PRODUCTION USE

Sheet: /MCU/
File: MCU.sch

Title:

Size: A4
KiCad E.D.A. kicad 4.0.7

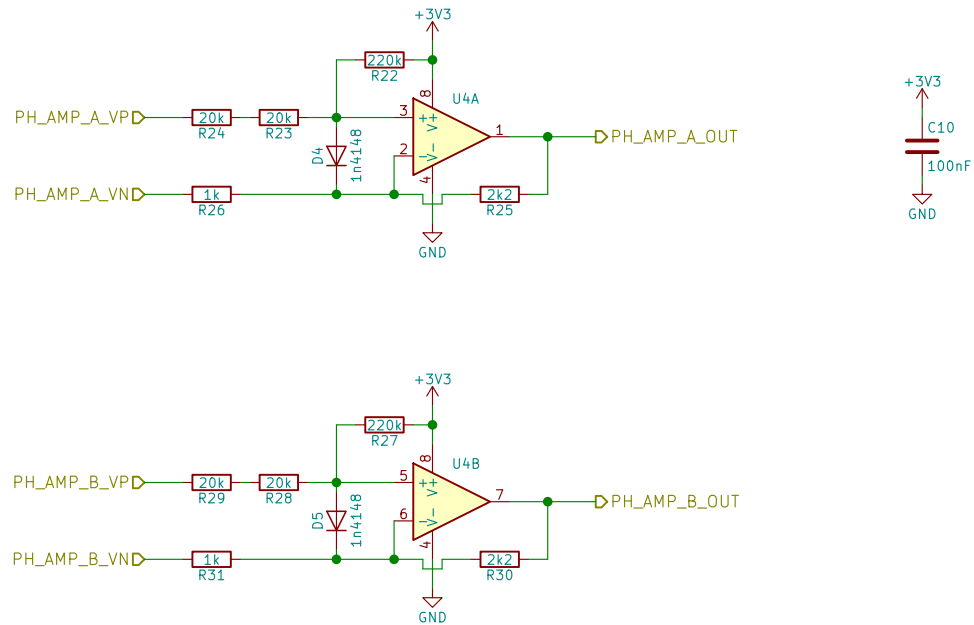
Date:

Rev:

Id: 8/13

IC PACKAGE HAS MARKING: SD51 1548C.
I COULD NOT FIND THE DATASHEET FOR A DEVICE WITH THIS MARKING
BUT I AM CONFIDENT THIS IS THE CORRECT SCHEMATIC

COMPONENT REFERENCES APPENDED BY (R/L) DEPENDING ON MTR



NOT FOR COMMERCIAL/PRODUCTION USE

Sheet: /L_MTR_PH_SENSE/
File: phase_sense.sch

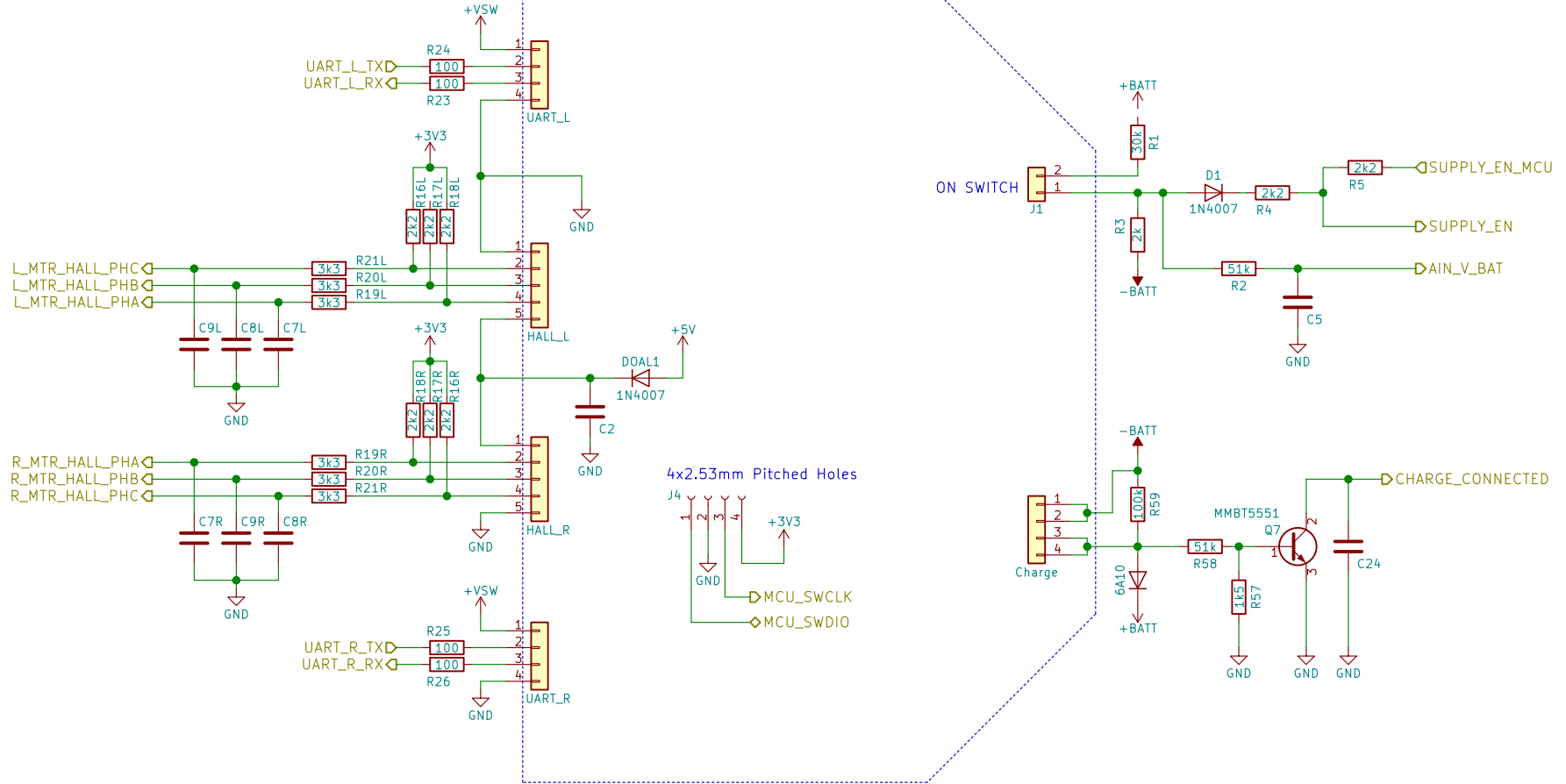
Title:

Size: A4
KiCad E.D.A. kicad 4.0.7

Date:

Rev:
Id: 9/13

TOP VIEW



NOT FOR COMMERCIAL/PRODUCTION USE

Sheet: /CONNECTORS/
File: connectors.sch

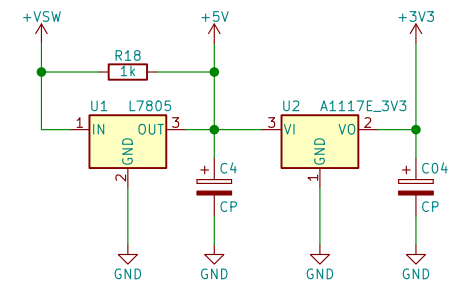
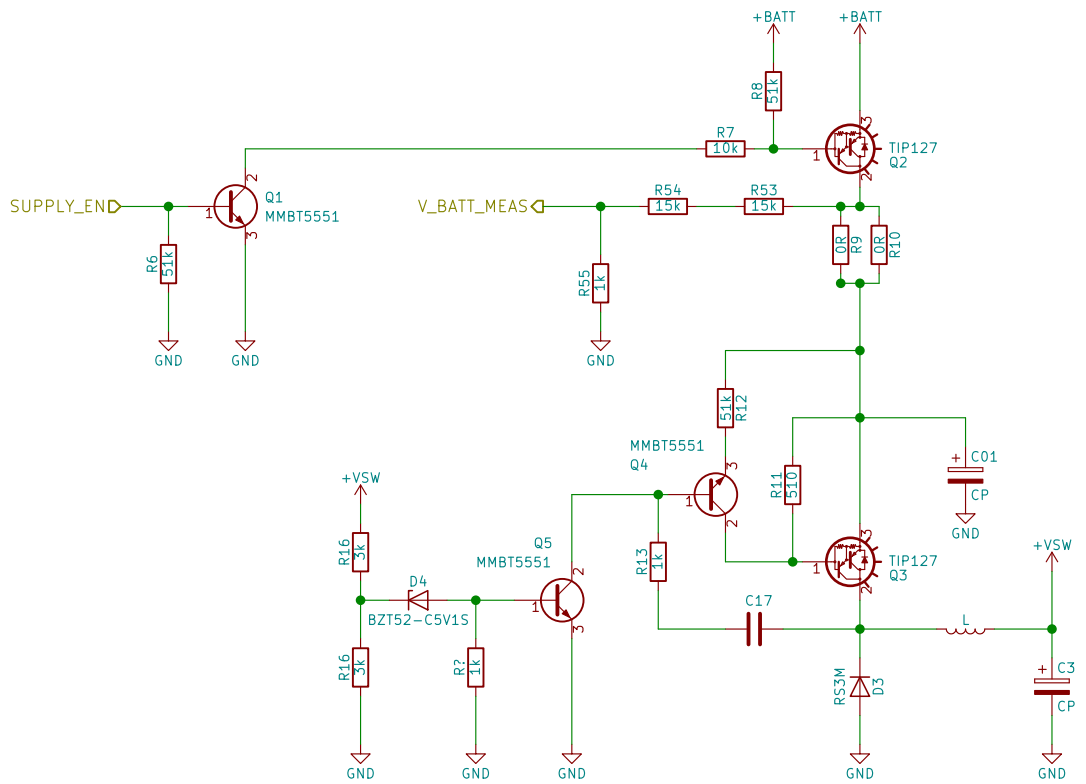
Title:

Size: A4
KiCad E.D.A. kicad 4.0.7

Date:

Rev:

Id: 11/13



NOT FOR COMMERCIAL/PRODUCTION USE

Sheet: /SUPPLIES/
File: supplies.sch

Title:

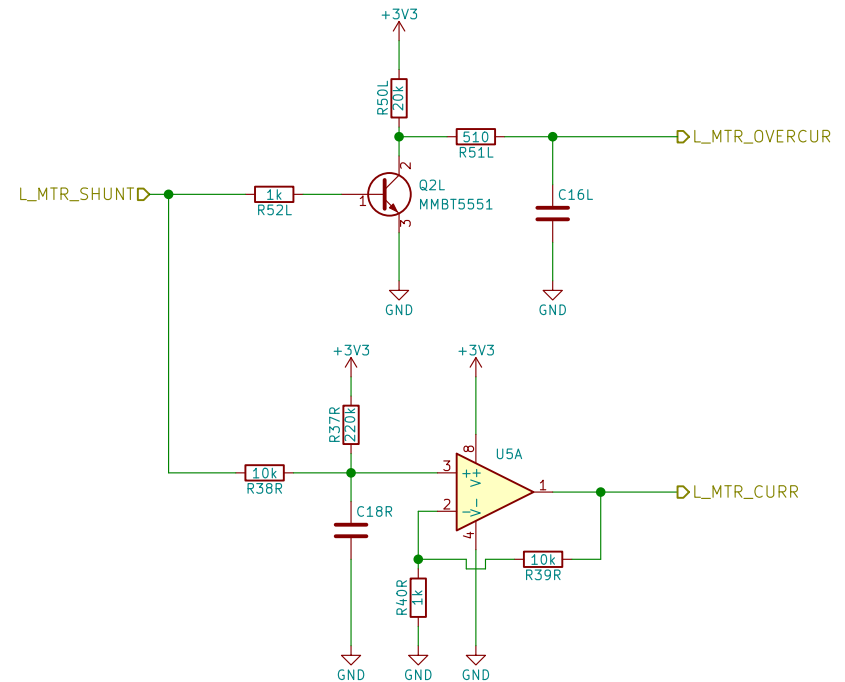
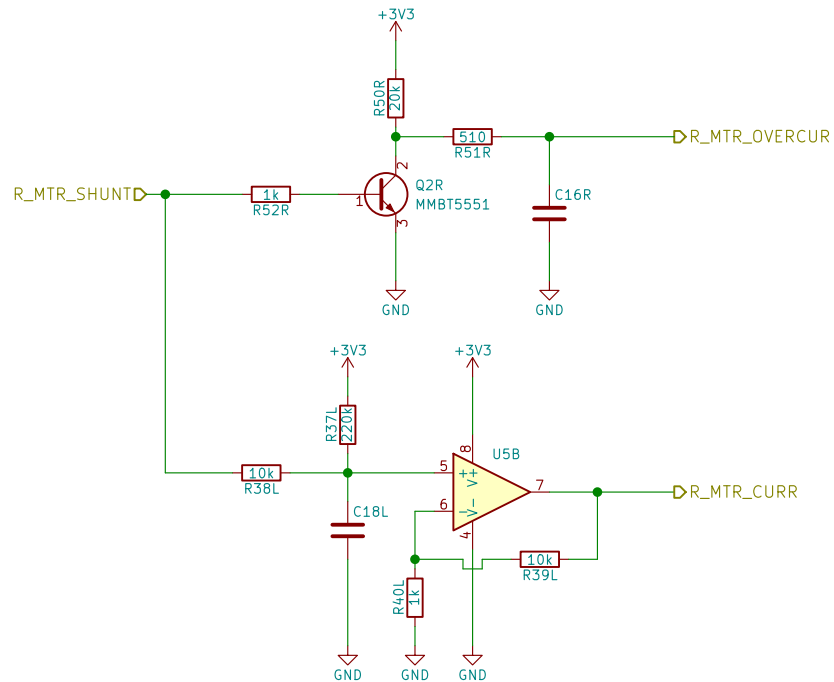
Size: A4
KiCad E.D.A. kicad 4.0.7

Date:

Rev:
Id: 12/13

IC PACKAGE HAS MARKING: A42S FYFh
I COULD NOT FIND THE DATASHEET FOR A DEVICE WITH THIS MARKING
BUT I AM CONFIDENT THIS IS THE CORRECT SCHEMATIC

COMPONENT REFERENCES (R/L) SEEM MIXED ON PCB. SHOWN HERE AS IS.



NOT FOR COMMERCIAL/PRODUCTION USE

Sheet: /CURRENT_SENSE/
File: current_sense.sch

Title:

Size: A4

Date:

KiCad E.D.A. kicad 4.0.7

Rev:

Id: 13/13