

F

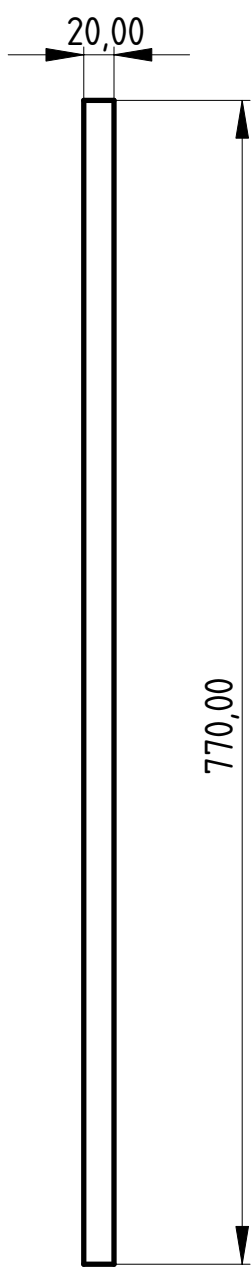
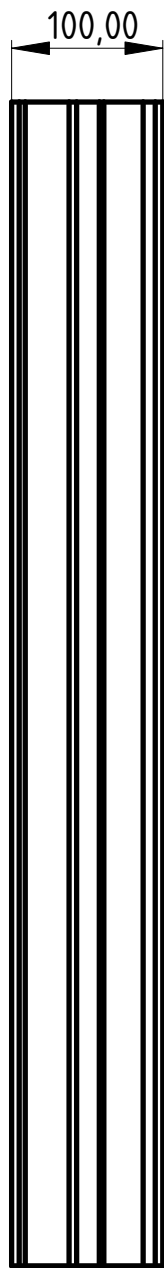
E

D

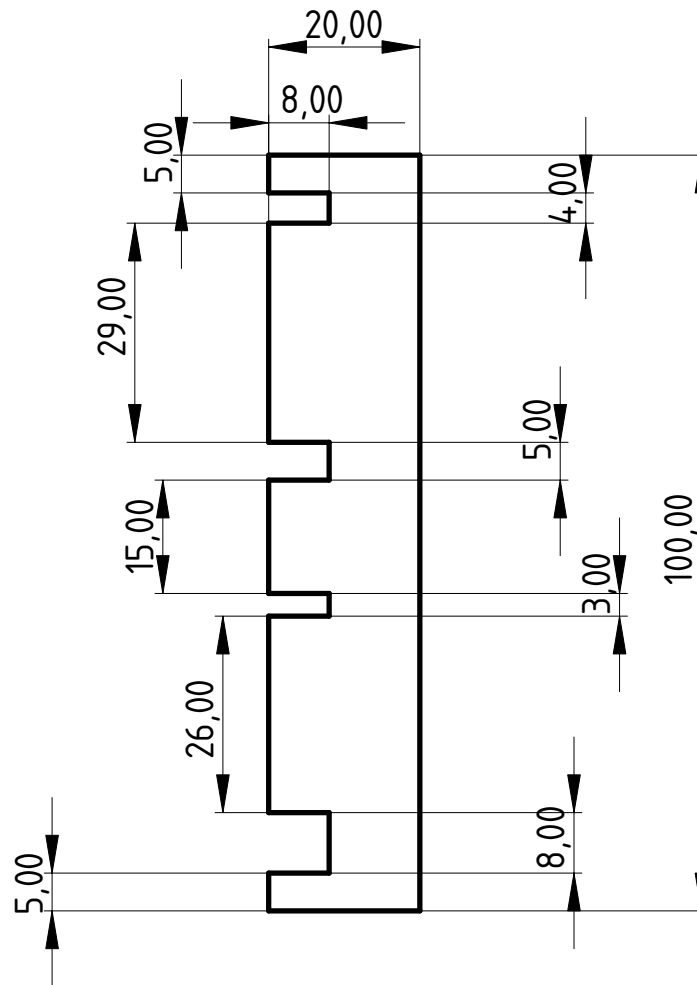
C

B

A



Scale= 1:5



Scale= 1:1

DESIGNED BY: Philipp Kramer		Flipdot Rahmen		G	—
DATE: 23.2.2023		Oben/Unten		F	—
SIZE: A4		2 Stück		E	—
				D	—
SCALE	WEIGHT (kg)	DRAWING NUMBER	SHEET	C	—
		1	1	B	—
This drawing is our property; it can't be reproduced or communicated without our written consent.				A	—



F

E

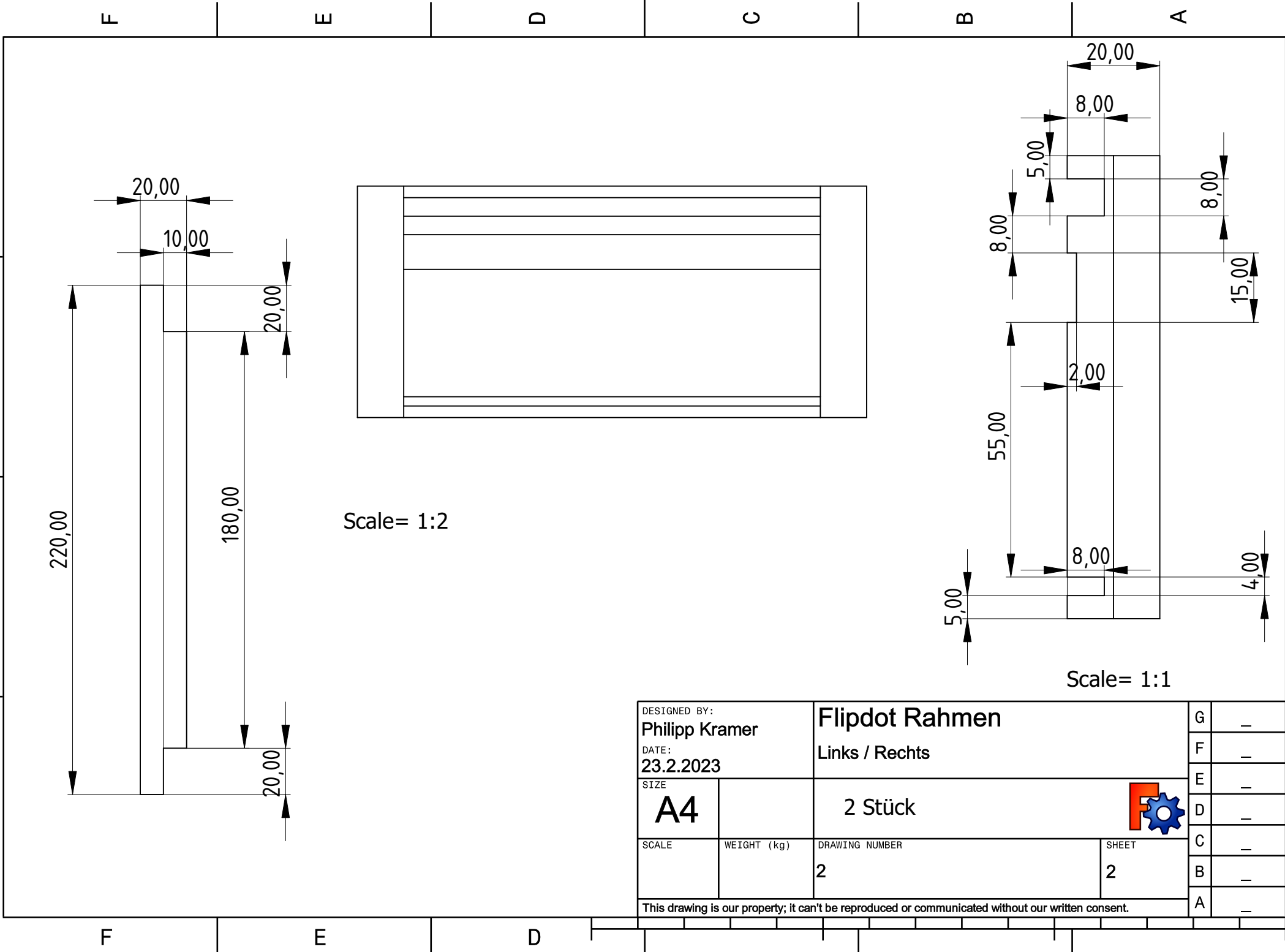
D

4

3


2

1



Scale= 1:2

Scale= 1:1

DESIGNED BY: Philipp Kramer		Flipdot Rahmen		G	-
DATE: 23.2.2023		Links / Rechts		F	-
SIZE A4		2 Stück		E	-
				D	-
SCALE	WEIGHT (kg)			DRAWING NUMBER	SHEET
		2	2	B	-
This drawing is our property; it can't be reproduced or communicated without our written consent.				A	-